

# ROBOTICS



## ROBOTIC CAMERA HEAD

Silver Pan/Tilt head supports weight and camera up to 15 kg. It is a high precision head for situations where accuracy and discretion are needed.

Silver robotic head offers a high degree of precision while allowing repeatability and smooth broadcast camera movements. The head is designed to be used for congress, conference rooms, news, sports, commentary programs and television studio coverage.

Silver robotic head like Titanium, can be controlled through Cobalt and Mercury allowing instant recall of shots and positions with high precision.

Using Hybrid MC's lens encoders, Silver allows to control easily camera's zoom and focus rings.

Silver is also a tracking head that can be used for virtual set productions with no video and audio delays. This allows your virtual set production workflow to be as simple as possible.



## Technical specifications

- Height 20 cm
- Width 15,3 cm
- Length 15,3 cm
- Weight 6 kg
- Maximum Payload 15 kg
- Pan Range 340°
- Maximum Speed – Pan/Tilt configurable up to 100°/Sec
- Minimum Speed – Pan/Tilt 0.01° /second
- Repeatability 0.02 arcmin/0.003°
- Lens zoom and focus drives

## More informations

Thanks to its water proof design, Silver can be used outside.

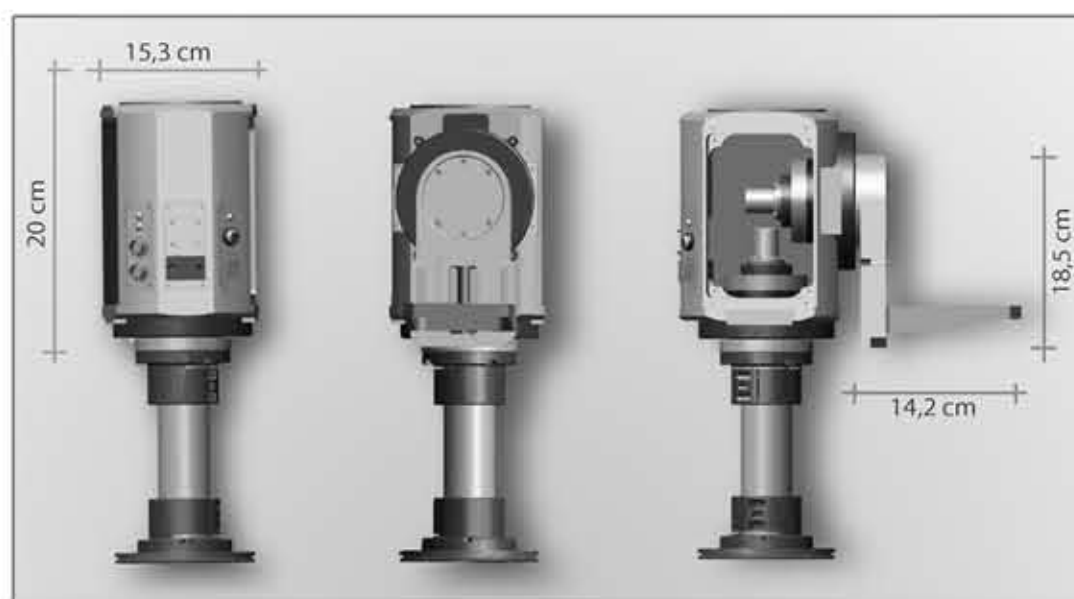
Silver is fully compatible with existing Hybrid MC equipment.



Broadcast Zoom and Focus lens drives

## SILVER key features

- 15kg (33lb) payload
- Small size
- Easy Set up
- High precision and repeatability
- Ceiling, wall or tripod mounting
- Unobtrusive operation
- Low noise during movement
- Can be controlled by Cobalt and Mercury controller



## Contact Information

info@hybrid-mc.com  
www.hybrid-mc.com  
89, rue Gabriel Péri  
92120 Montrouge - France  
T : + 33 1 46 73 00 66  
F : + 33 1 46 73 00 77